

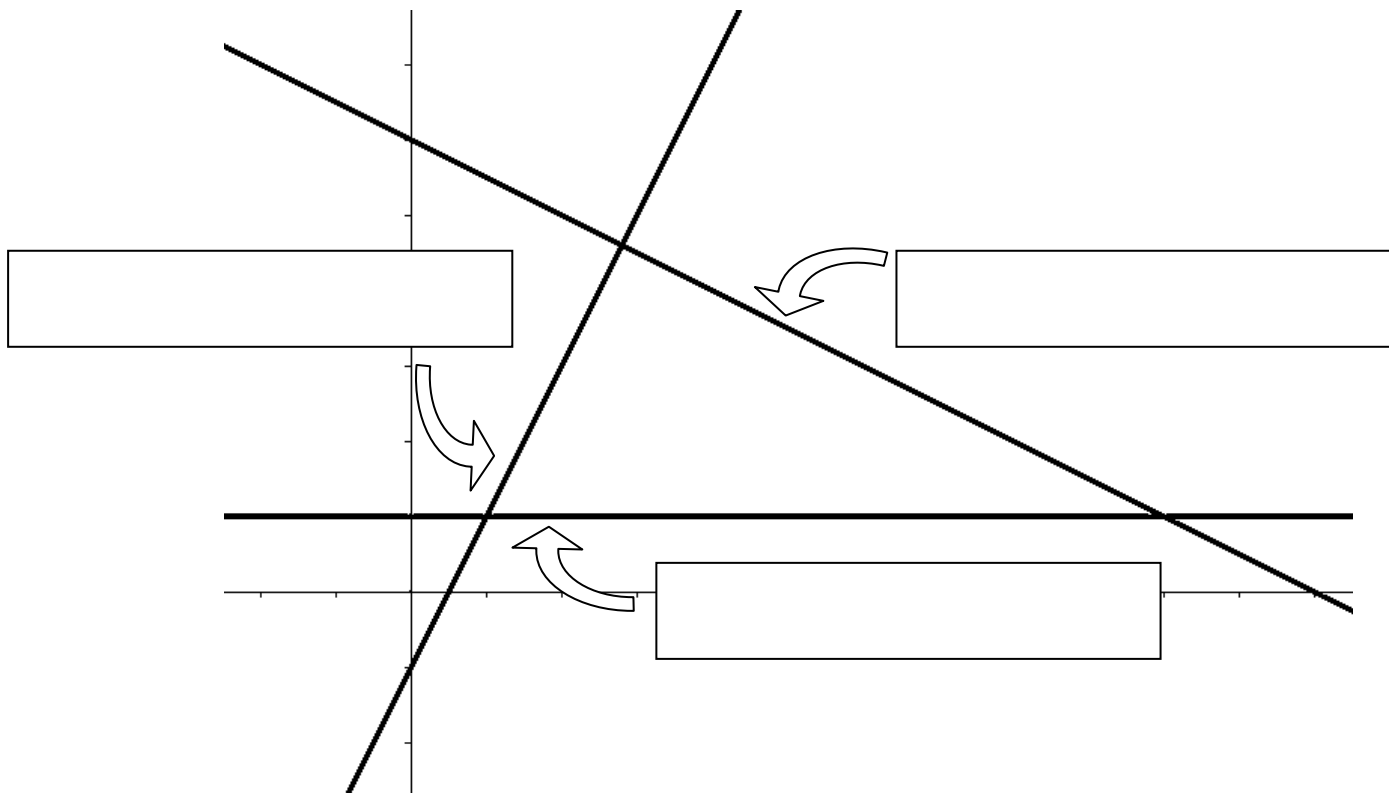


Straight lines and their gradients

Name: _____

Write down the equation of each line in the spaces provided.

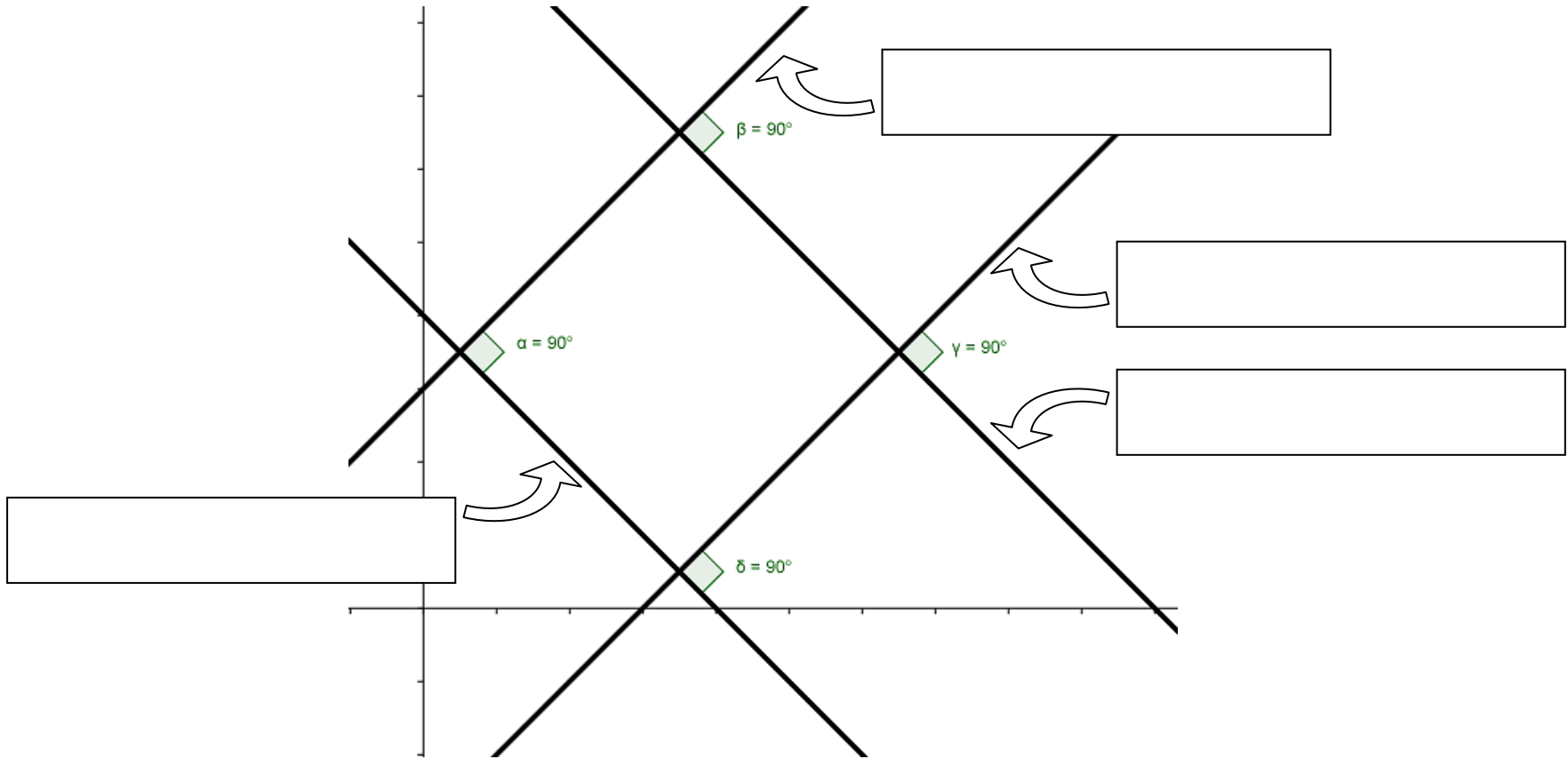
1.



Mark how easy you found the pattern on this scale:

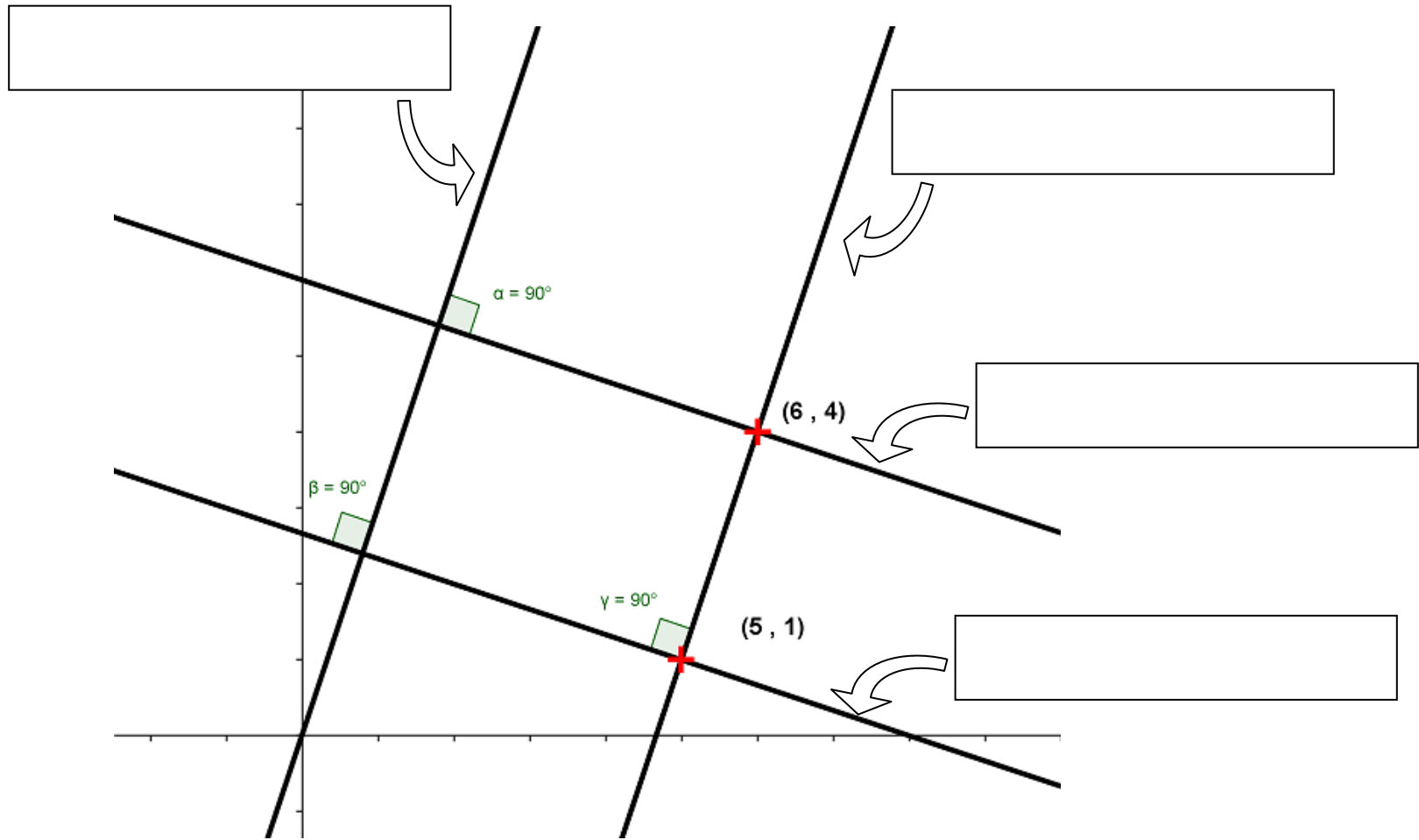
Easy		Difficult
------	--	-----------

2.



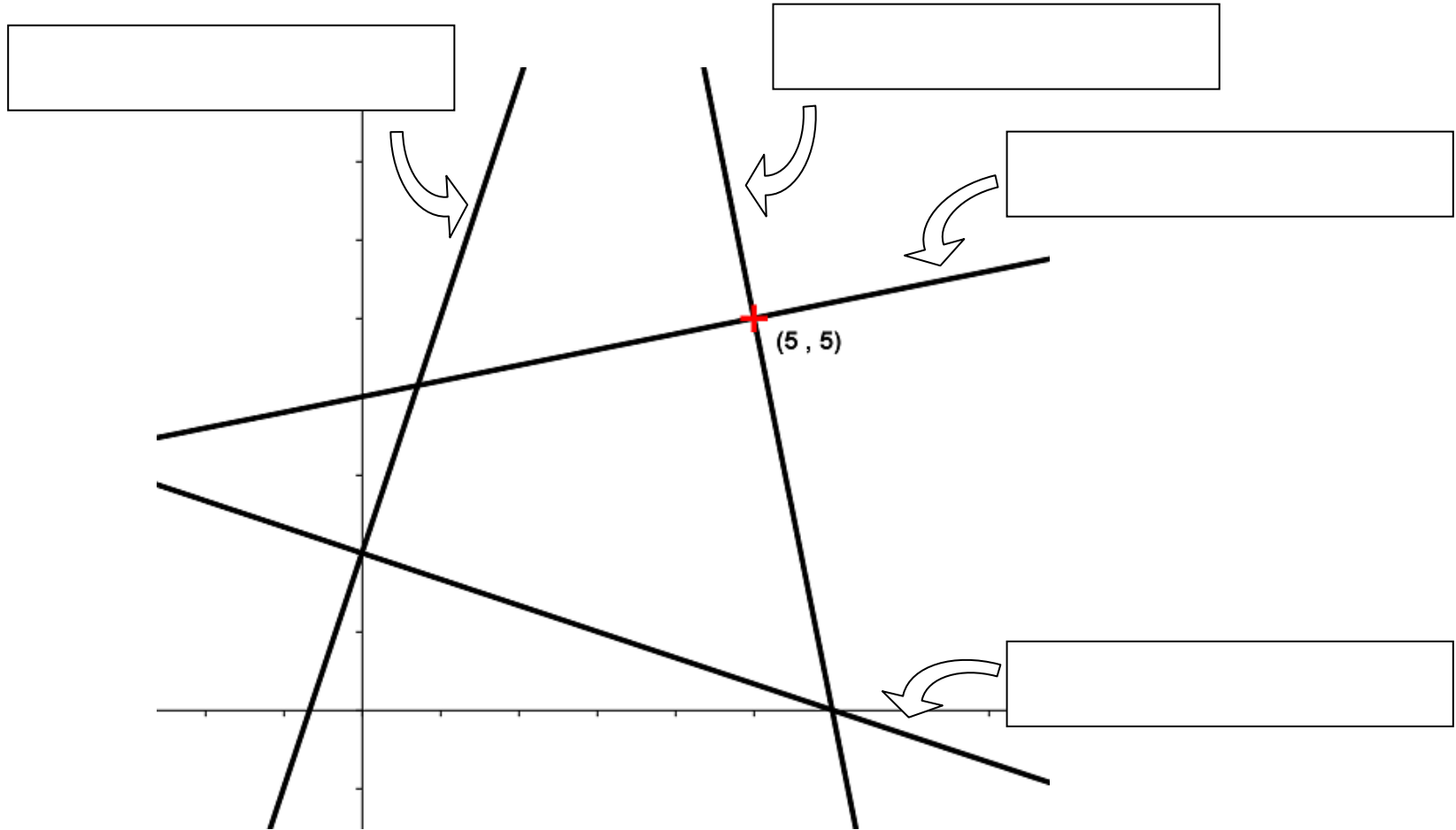
Easy		Difficult
------	--	-----------

3.



Easy		Difficult
------	--	-----------

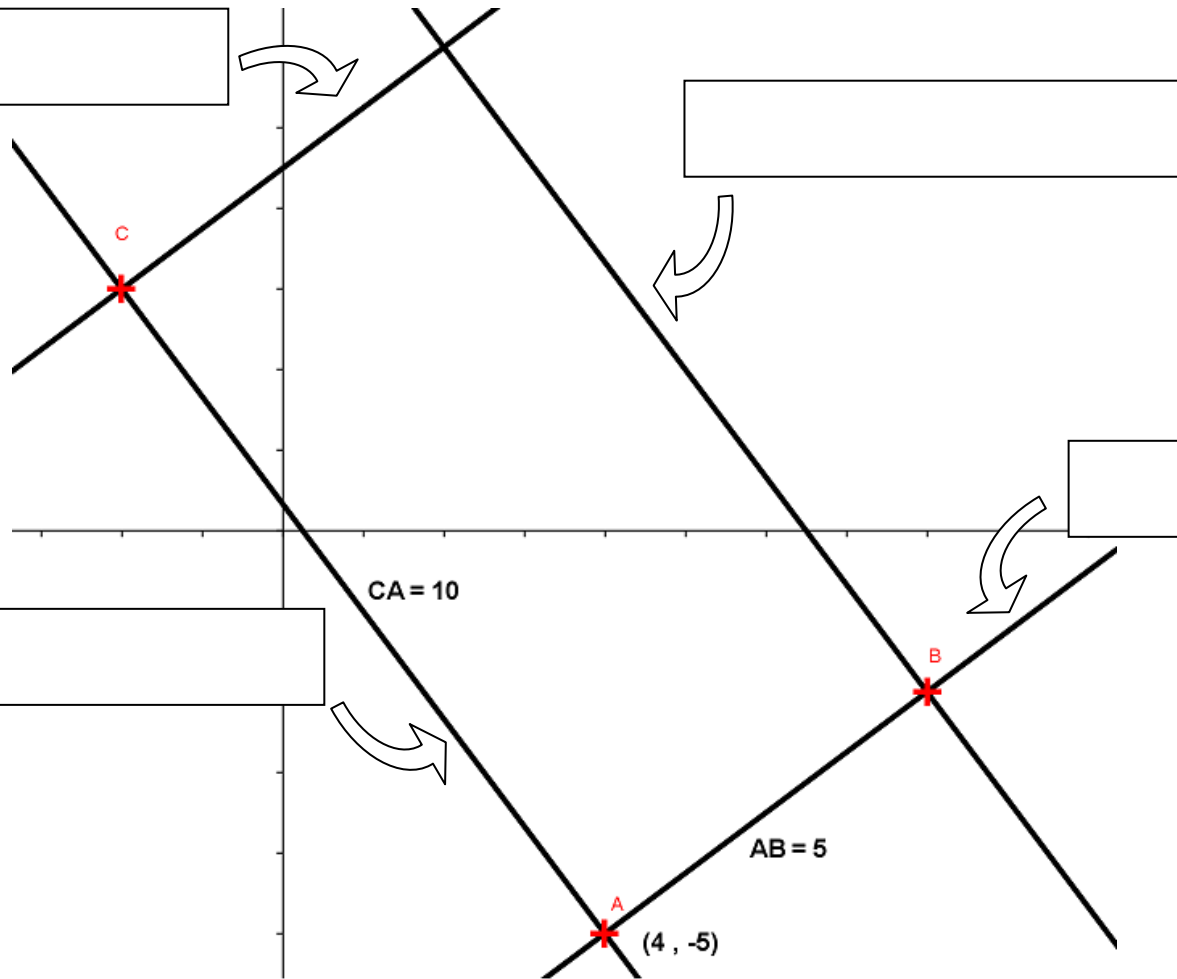
4.



Easy

Difficult

5.

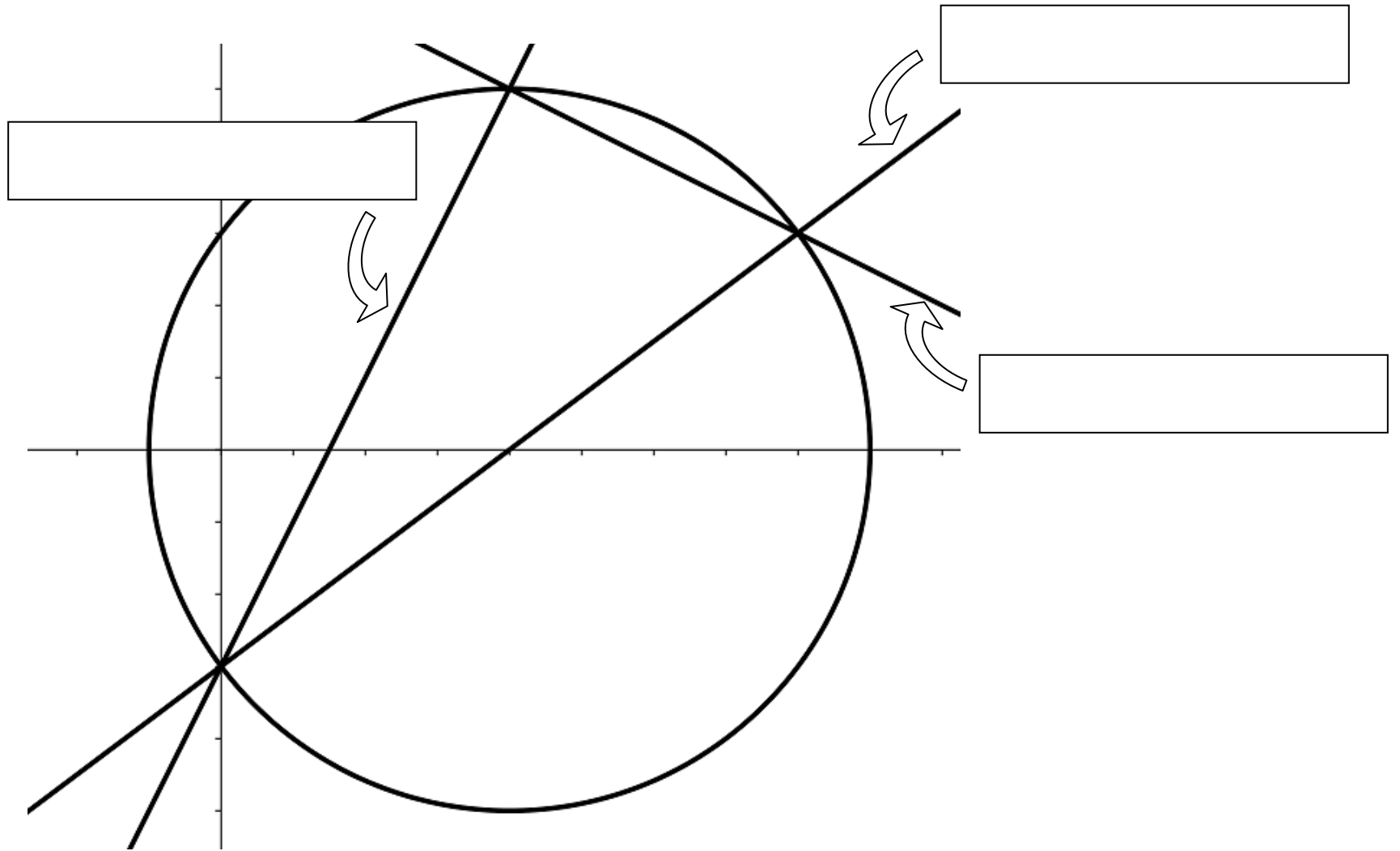


Easy



Difficult

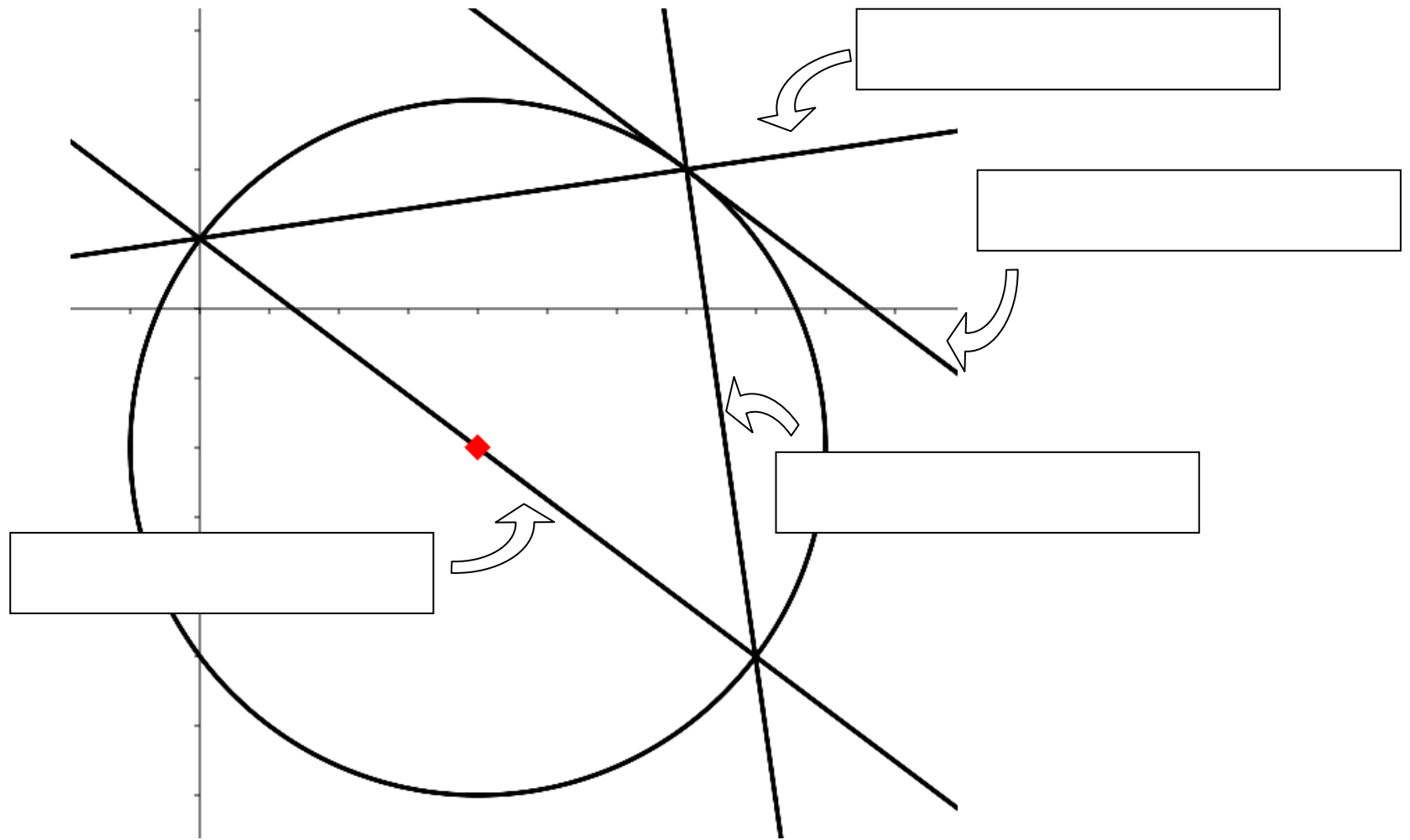
6.



Easy

Difficult

7.



Easy		Difficult
------	--	-----------